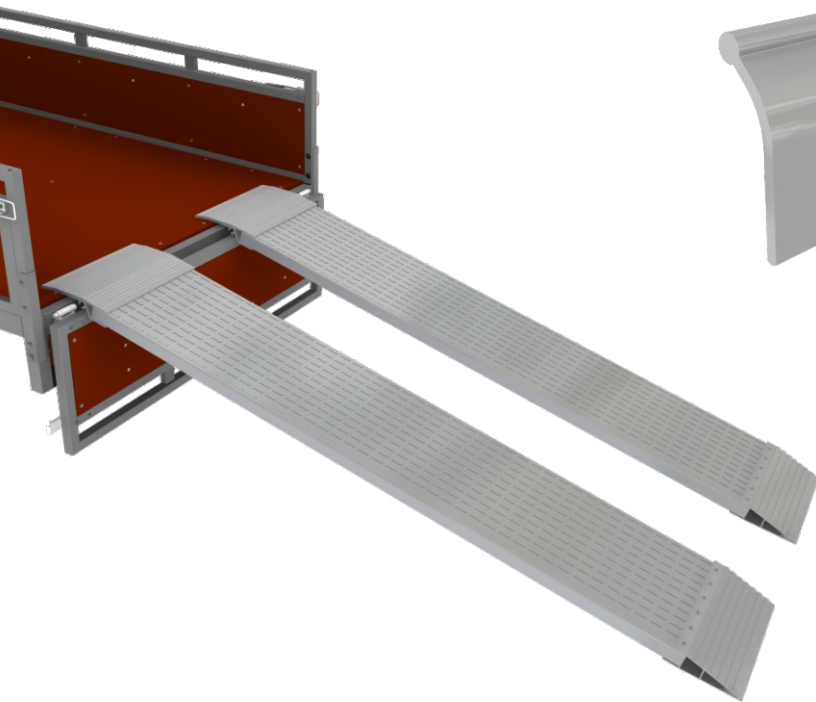
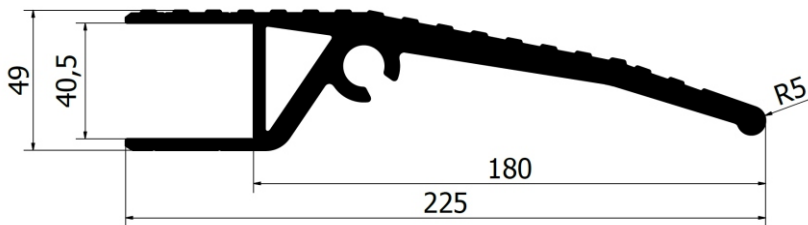
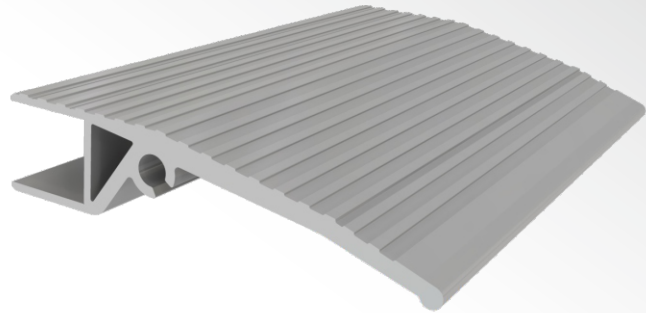


# NEW profiles for loading ramps

## Ramp ending profile for flat bed

Cat. No.	Weight
22.21.27533	7,131 kg/m
<b>ALUMINIUM</b>	<b>MILL FINISHED</b>



## Securing profile

Cat. No.	Weight
22.21.37533	2,084 kg/m
<b>ALUMINIUM</b>	<b>MILL FINISHED</b>

